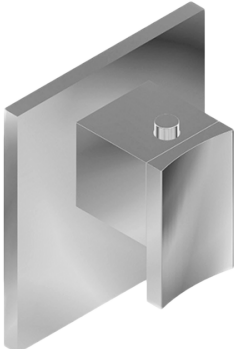


G-8043-C14E1-T

Sade Collection

M-Series Thermostatic Valve Trim with Handle

GRAFF[®]
CUTTING EDGE DESIGN



Product Features

- Single metal handle and decorative trim plate
- Use with G-8006 thermostatic rough valve

Available Finishes

- Polished Chrome
G-8043-C14E1-T-PC
- Polished Nickel
G-8043-C14E1-T-PN
- Unfinished Brass*
G-8043-C14E1-T-UB*
- Steelnox[®]
G-8043-C14E1-T-SN
- Olive Bronze*
G-8043-C14E1-T-OB*
- Gold*
G-8043-C14E1-T-AU*
- Brushed Gold*
G-8043-C14E1-T-BAU*

* Special order finish- call for availability

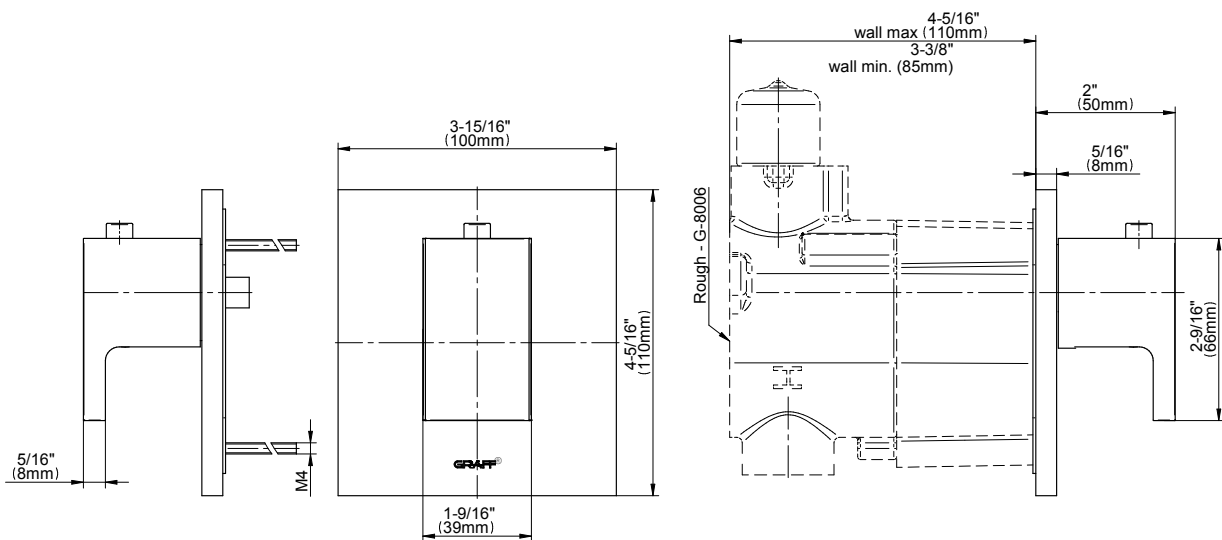
Code Compliance

- ADA

Warranty

- Limited lifetime warranty

For complete warranty information go to www.graff-designs.com/en-nam/warranty



The measurements shown are for reference only. Products and specifications shown are subject to change without notice. Revised 12/2017.

www.graff-designs.com | phone: 800-954-4723